

three-piece, »FUTURA-mini« series

Three-piece service units with excellent flow rates in modern design.
Diaphragm pressure regulator with secondary ventilation.

| | |
|-----------------------|---|
| Input pressure | 1.5 - 12 bar |
| Temperature range | -10 °C to 50 °C |
| Medium | Compressed air, neutral gases |
| Housing | PA66 GF60 |
| Connecting thread | Plastic |
| Filter element | Cellpor (PE) |
| Filter rating | 5 µm |
| Sight dome | PC |
| Sealant | NBR |
| Diaphragms | NBR |
| Flow rate | 800 l/min |
| Flow rate measurement | At P ₁ = 10 bar, P ₂ = 6.3 bar and pressure drop Δ _p = 1 bar |

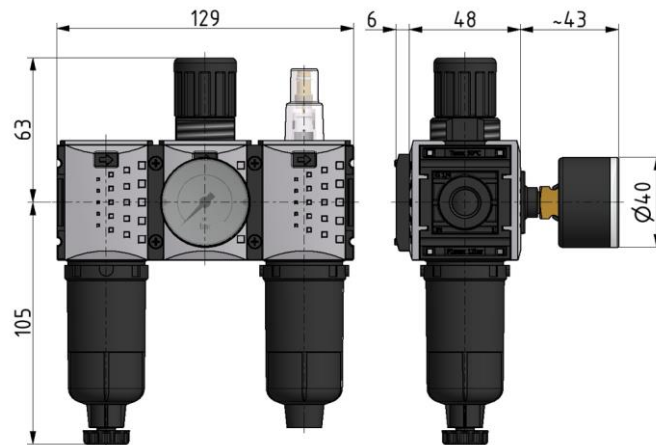
Service unit, 3-piece with metal bowl and standard pressure gauge

| Art. No. | Type No. | Thread | Size | Control range bar | Pressure gauge display bar | Condensate drain |
|----------|--------------|--------|------|----------------------|----------------------------------|------------------|
| 142499 | FUM 621 M-4 | G 1/4 | 0 | 0.1 - 4 | 0 - 6 | Semi-automatic |
| 142500 | FUM 621 M-8 | G 1/4 | 0 | 0.5 - 8 | 0 - 10 | Semi-automatic |
| 142501 | FUM 621 M-10 | G 1/4 | 0 | 0.5 - 10 | 0 - 16 | Semi-automatic |
| 142511 | FUM 633 M-4 | G 1/4 | 0 | 0.1 - 4 | 0 - 6 | Fully-automatic |
| 142512 | FUM 633 M-8 | G 1/4 | 0 | 0.5 - 8 | 0 - 10 | Fully-automatic |
| 142513 | FUM 633 M-10 | G 1/4 | 0 | 0.5 - 10 | 0 - 16 | Fully-automatic |

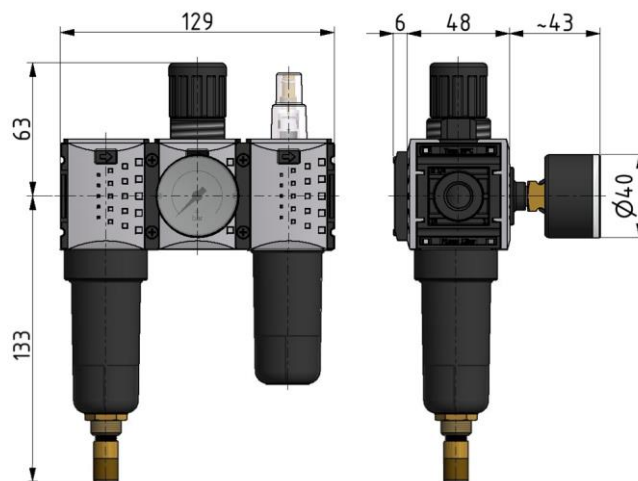
Accessories / spare parts

| Art. No. | Type No. | Description |
|----------|--------------|--|
| 143102 | R 11-55 K | Panel nut M30x1.5 |
| 143105 | H 848 | Mounting bracket, incl. 2 screws |
| 143106 | H 849 | Mounting bracket for thread for panel mounting |
| 143010 | WKM 100 | Coupling package for wall mounting incl. 2 screws and O-ring |
| 143022 | KPM 100 | Coupling package incl. 2 screws and O-ring |
| 100134 | 611.6.905 | Filter element 5 µm, Cellpor |
| 100357 | 640/1-HA | Polycarbonate bowl (filter) |
| 100383 | 740/01 | Polycarbonate bowl (lubricator) |
| 152077 | WK 100-14 | Wall bracket with connection thread G 1/4 |
| 143144 | 640/11-A-NC | Metal container, Fully-automatic (NC) |
| 152961 | 655.6.901 | Automatic drain valve, usually closed (NC) |
| 100361 | KS 11 F-A | Polycarbonate bowl with automatic draining |
| 143142 | KS 11 F-A-NC | Polycarbonate container, Fully-automatic (NC) |
| 100359 | 641/11-HA | Metal bowl with semi-automatic drain |
| 100391 | 740/11 | Metal bowl (lubricator) |
| 100360 | 640/11-A | Metal bowl with automatic drain valve |
| 118137 | 302.4.9 | O-ring 30x2 mm for container |
| 143131 | 1811.3.904 | Wheel 0.1 - 4 bar |
| 143136 | 1811.5.904 | Pressure spring 0 - 4 bar |
| 143140 | 22.7010M.4 | Spare parts for filter regulator/regulator |
| 100362 | 655.6.900 | Automatic drain valve |
| 100214 | 901.7.990 | Sight dome, polycarbonate |
| 143119 | 7010.4.950M | Replacement diaphragm for pressure regulator, G 1/4 |
| 143132 | 1811.3.908 | Wheel 0.5 - 8 bar |
| 143138 | 1811.5.908 | Pressure spring 0 - 8 bar |
| 117242 | 1811.3.910 | Wheel 0.5 - 10 bar |
| 117251 | 1811.5.910 | Pressure spring 0 - 10 bar |

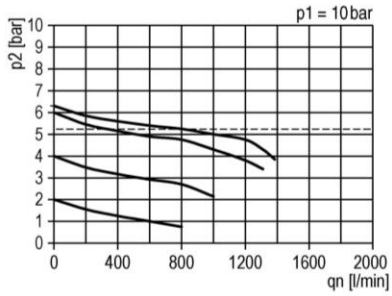
Semi-automatic:



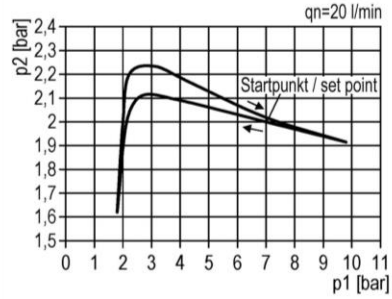
Fully-automatic:



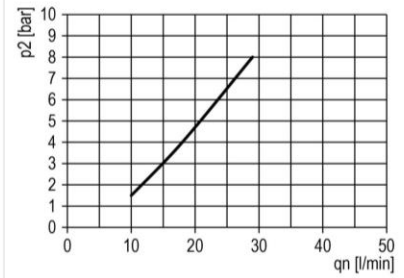
flow characteristic



pressure characteristic



lubricator operating limit



symbol

